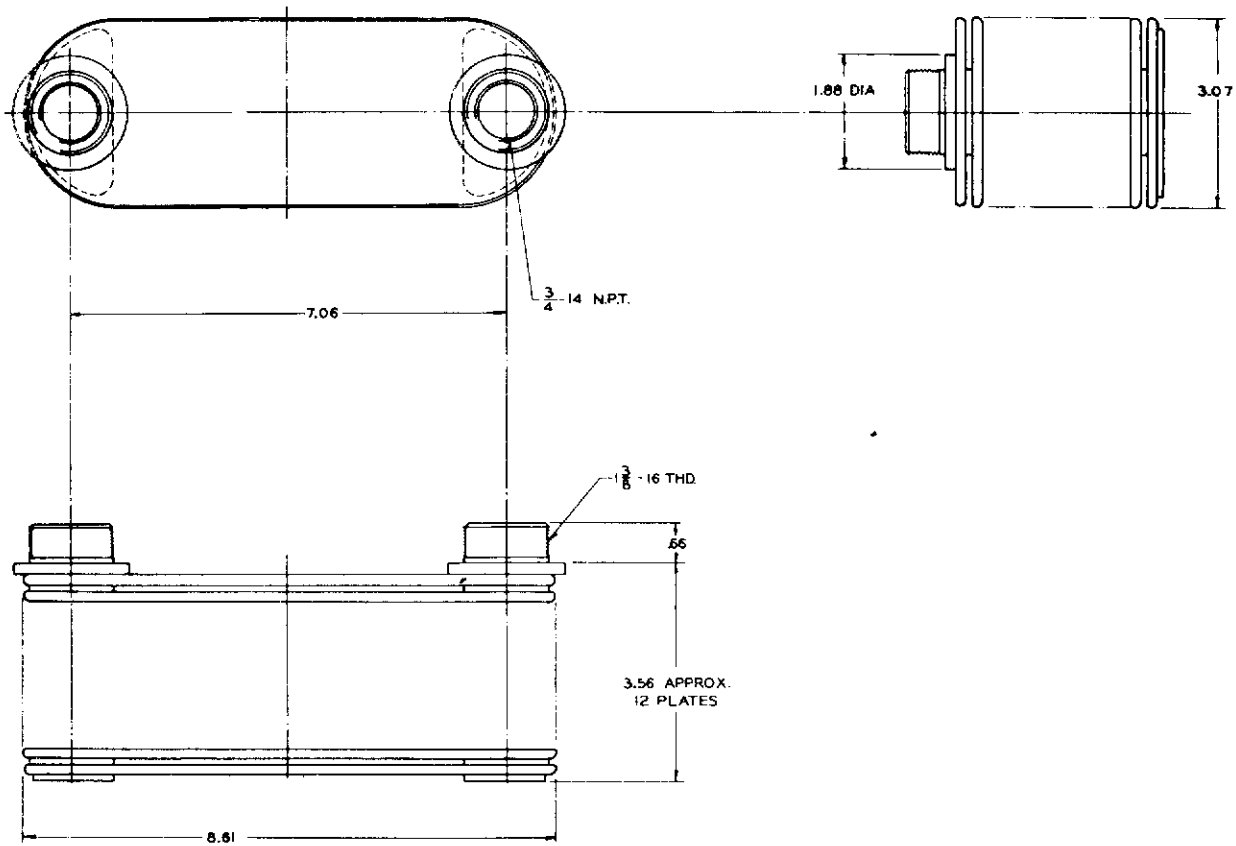


MODEL 1250  
CORE ASSEMBLY



WEIGHT 7.5 POUNDS APPROX.