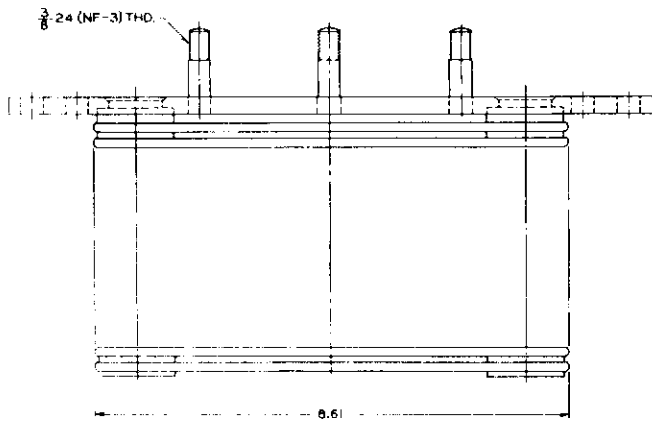
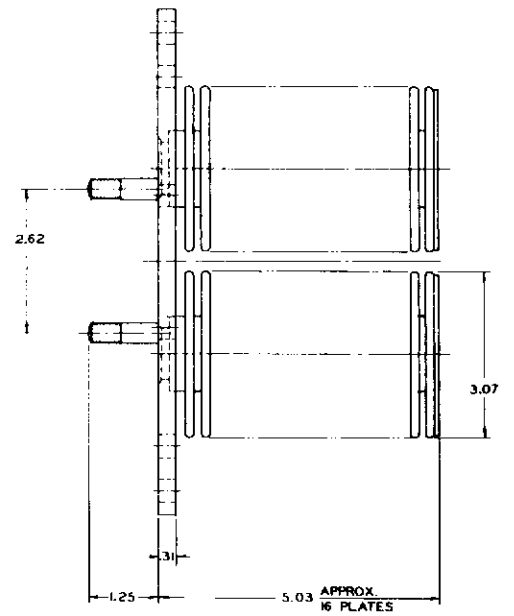
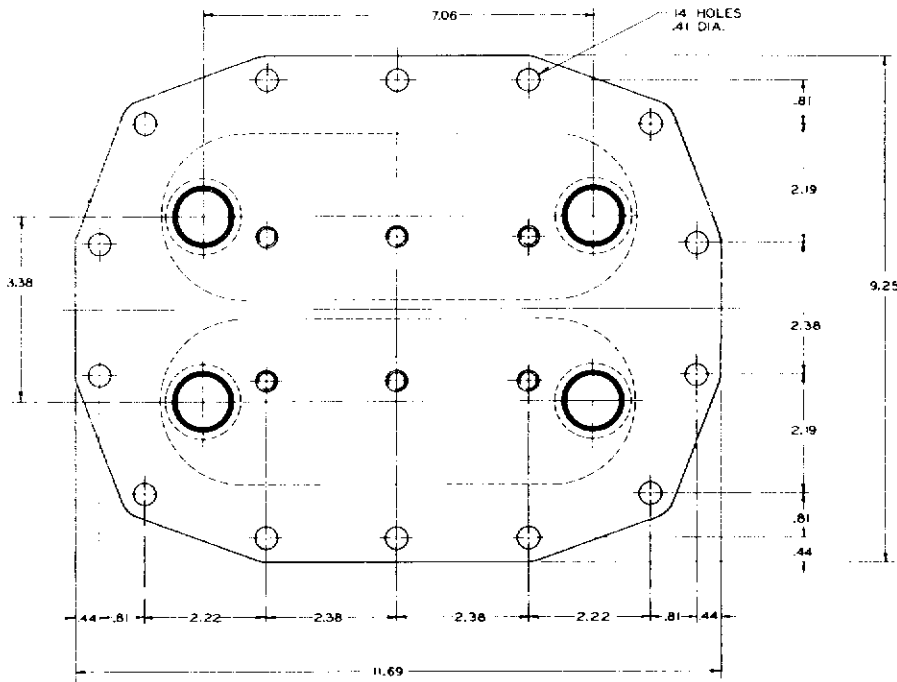


MODEL 1060  
CORE ASSEMBLY



WEIGHT 28 POUNDS APPROX.